

AS01S3 Biofilm Sensor



With hygienic connection to the process, flat surface in contact with the liquid and high resistance to chemical treatments, this model is indicated for applications where hygiene is critical

Connection to the process

VARIVENT® Type N
(for pipes from DN 40 to DN 150)

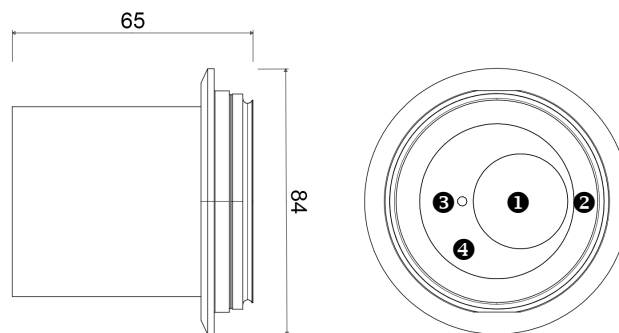
Materials in contact with the process

Stainless Steel (working electrode ❶, VARIVENT® connector ❷), coated Titanium (counter electrode ❸), PEEK ❹, EPDM (O-Ring)

Sensitivity

First bacterial layer

Measures (mm)



Operating conditions

Temperature:

$-10 < T < +150 \text{ } ^\circ\text{C}$
(to monitor biofilm growth: $+2 < T < +40 \text{ } ^\circ\text{C}$)

Oxygen:

$> 1 \text{ ppm}$

Pressure:

$< 10 \text{ bar}$

Conductivity:

$> 30 \text{ } \mu\text{S/cm}$

Power supply

12V DC $\pm 20\%$

Data communication

4-20 mA and RS485/MODBUS RTU

Wiring

Standard 6-wire cable, FROR 6x0.5 suggested
(2 wires used for power supply, 2 for RS485/MODBUS communication, 2 for 4-20 mA data transmission)

Software - Minimum system requirements (RS485/MODBUS)

PC with Windows XP/7/8/10, 1 GHz CPU, 512 Mb Ram, 200 Mb of free space on hard drive, RS485 serial interface or USB port (for USB-RS485/MODBUS converter)

VARIVENT is a registered trademark of GEA TUCHENHAGEN GMBH. Windows is a registered trademark of Microsoft Corporation in the United States and other countries.